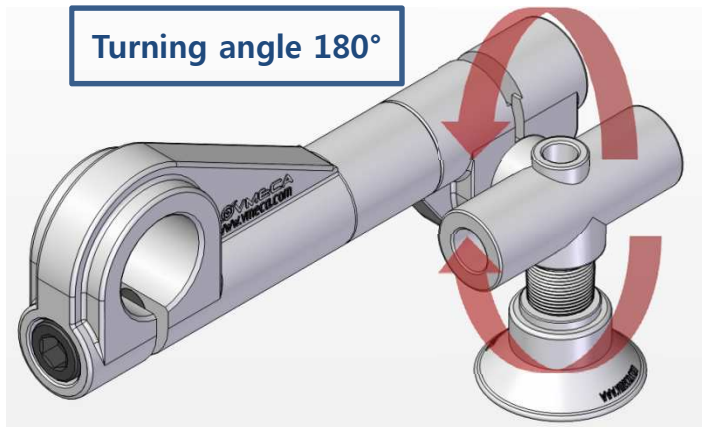


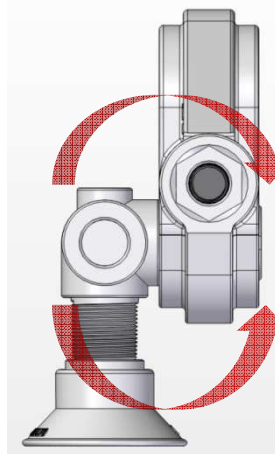
**PATENT  
PENDING**

# VSA System (Vmecca Smart Arm system)



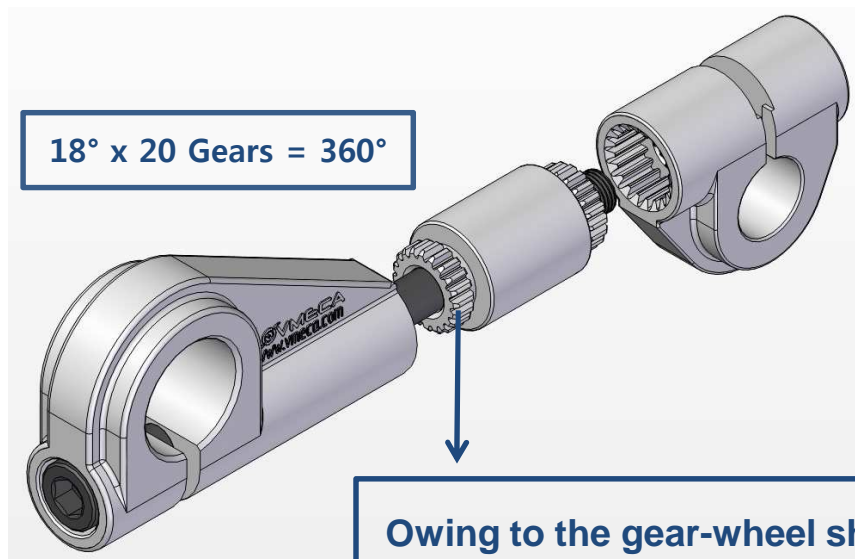


Turning angle 180°



## Feature

- ✓ Easy installation
- ✓ Easy adjustable angle
- ✓ Saving cost
- ✓ Less downtime
- ✓ High durability
- ✓ Quick attachable
- ✓ Light weight
- ✓ Various adapters
- ✓ Strong positioning



18° x 20 Gears = 360°

Owing to the gear-wheel shaped connecting pieces  
(Keep the strong positioning)

**NEW**  
PATENT  
PENDING

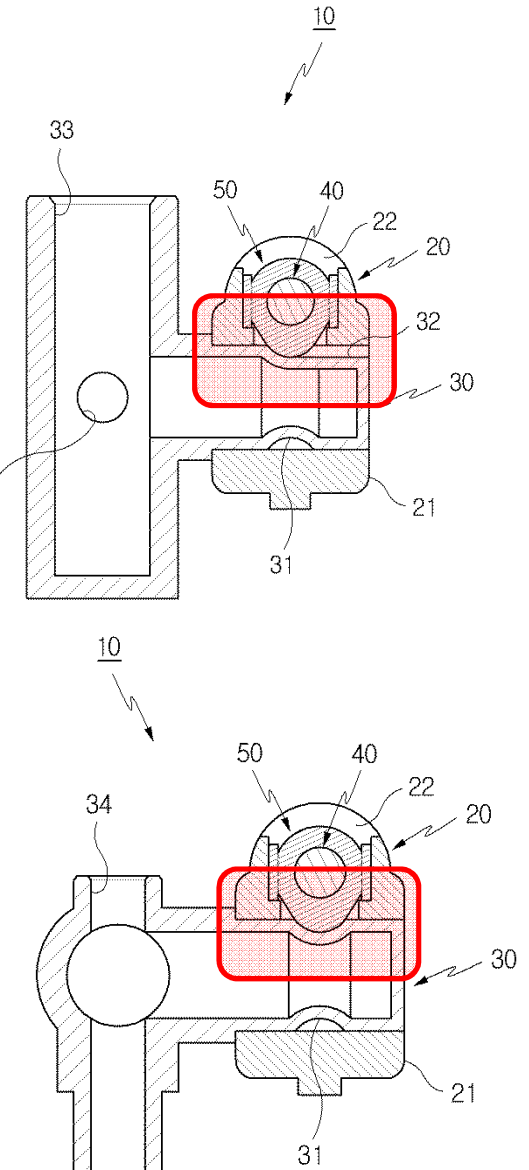
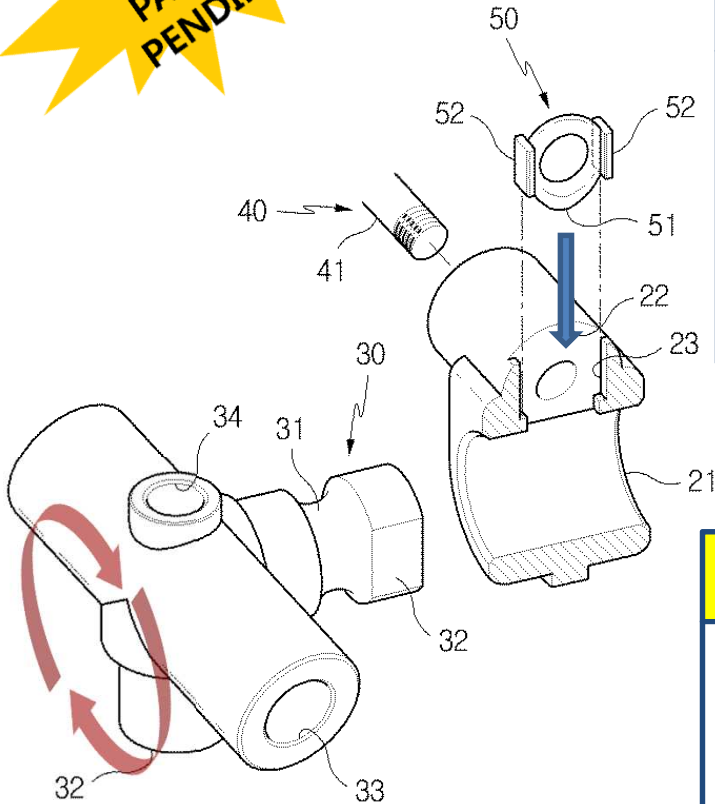
## VMECA Smart Arm - Locking

**Before Locking**

Picture of adapter inserted before locking of the Arm

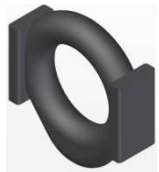
**After Locking**

Picture of the patented locking adapter

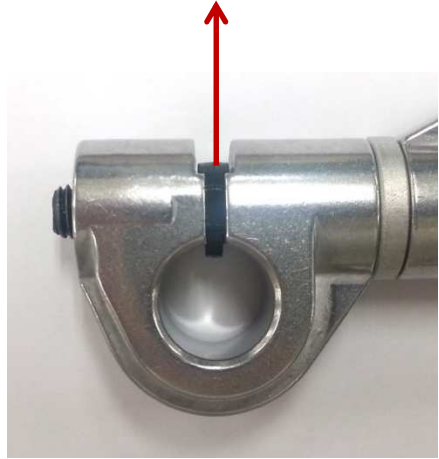


**PATENT  
PENDING**

VMECA Safety stopper



VMECA Safety stopper



(Old Type)

VSA System(Vmeca Smart Arm System) has a VMECA safety stopper which is for prevent the Pad Adapter from falling off by frequency shock, as like the press line.





## Feature

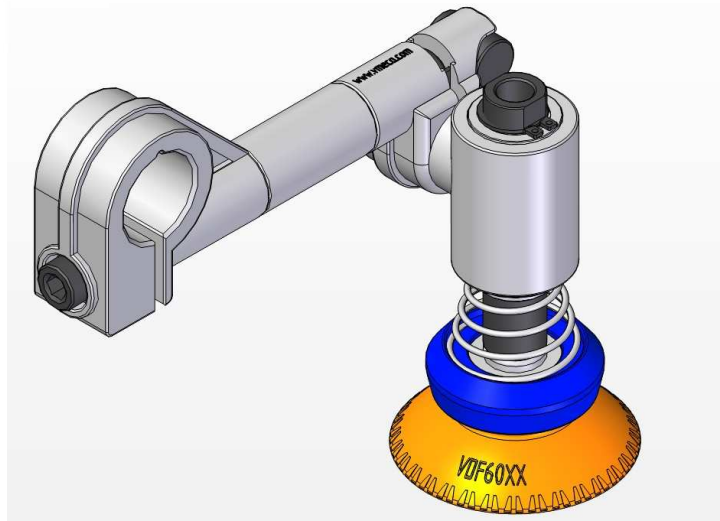
- ✓ No need tool
- ✓ Saving cost
- ✓ Less downtime
- ✓ Long life time (life-span)
- ✓ Quick attachable
- ✓ Ball joint integrated
- ✓ Wide Angle (Max. Angle : +/- 21°)
- ✓ No screw
- ✓ Easy replace rubber part
- ✓ Compact size
- ✓ Easy maintenance
- ✓ Always return back to center position
- ✓ Built in Slide Bearing
- ✓ High durability



Vmecca Smart Arm (integrated Smart Cup)	
(+ Level Spring Adapter (Stoke: 20mm))	(+ Suction Cup Adapter)
With Ball Joint ( $\pm 21^\circ$ angle)	Without Ball Joint

**PATENT  
PENDING**

## ▶ Vmecca Smart Arm Cup Holder



### The method of pad replacement



1. Pull up the 'blue' color pad-cover (force up the level spring)



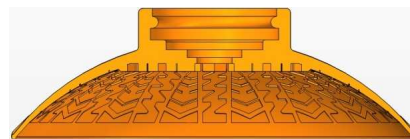
2. Pull off the rubber pad from its body insert.



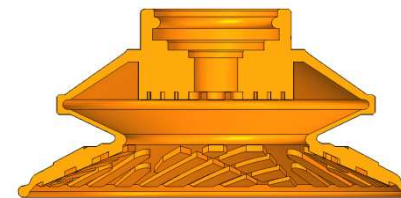
3. The rubber material is removable for maintenance.



FCF Series

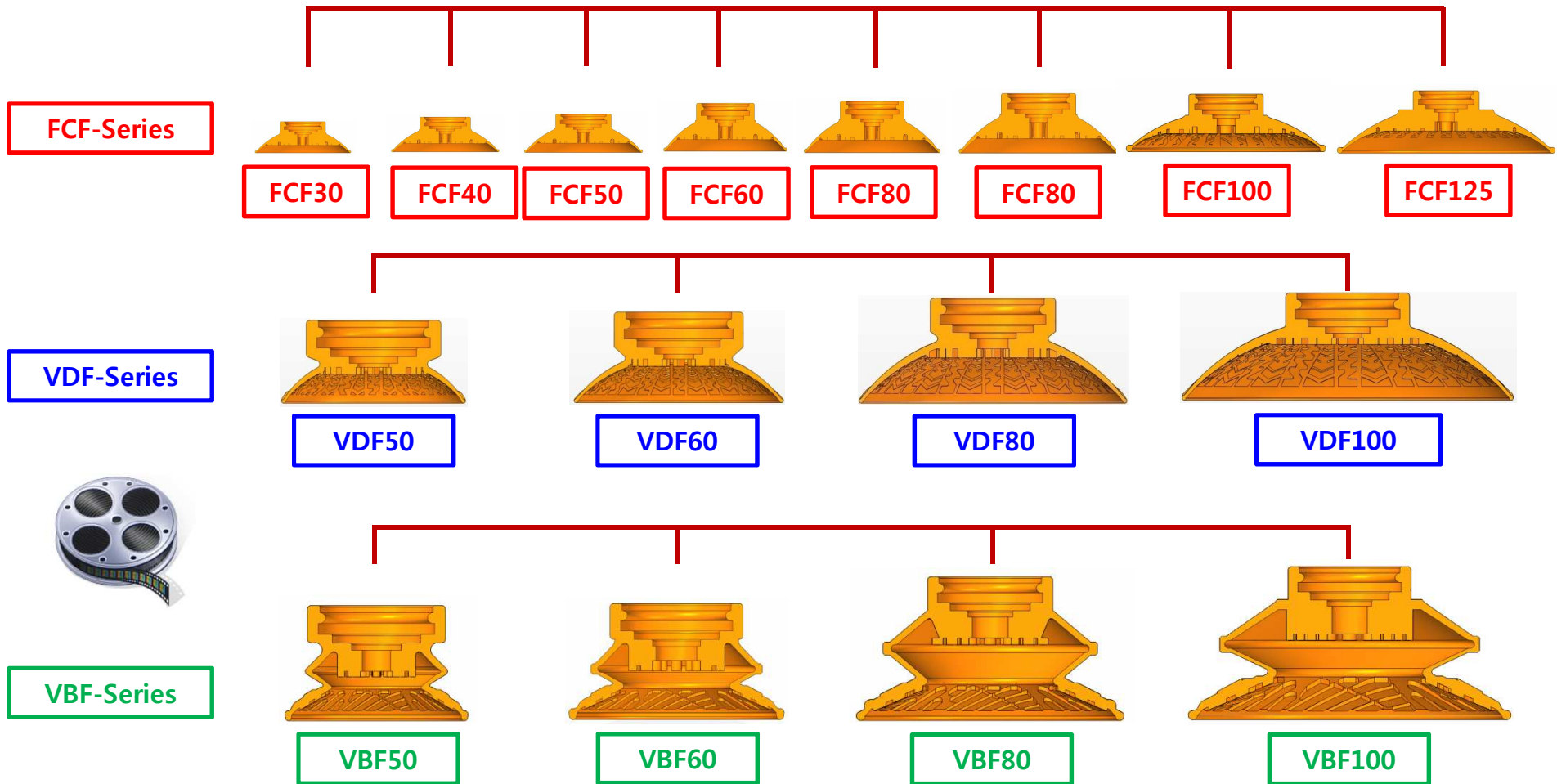


VDF-Series



VBF-Series

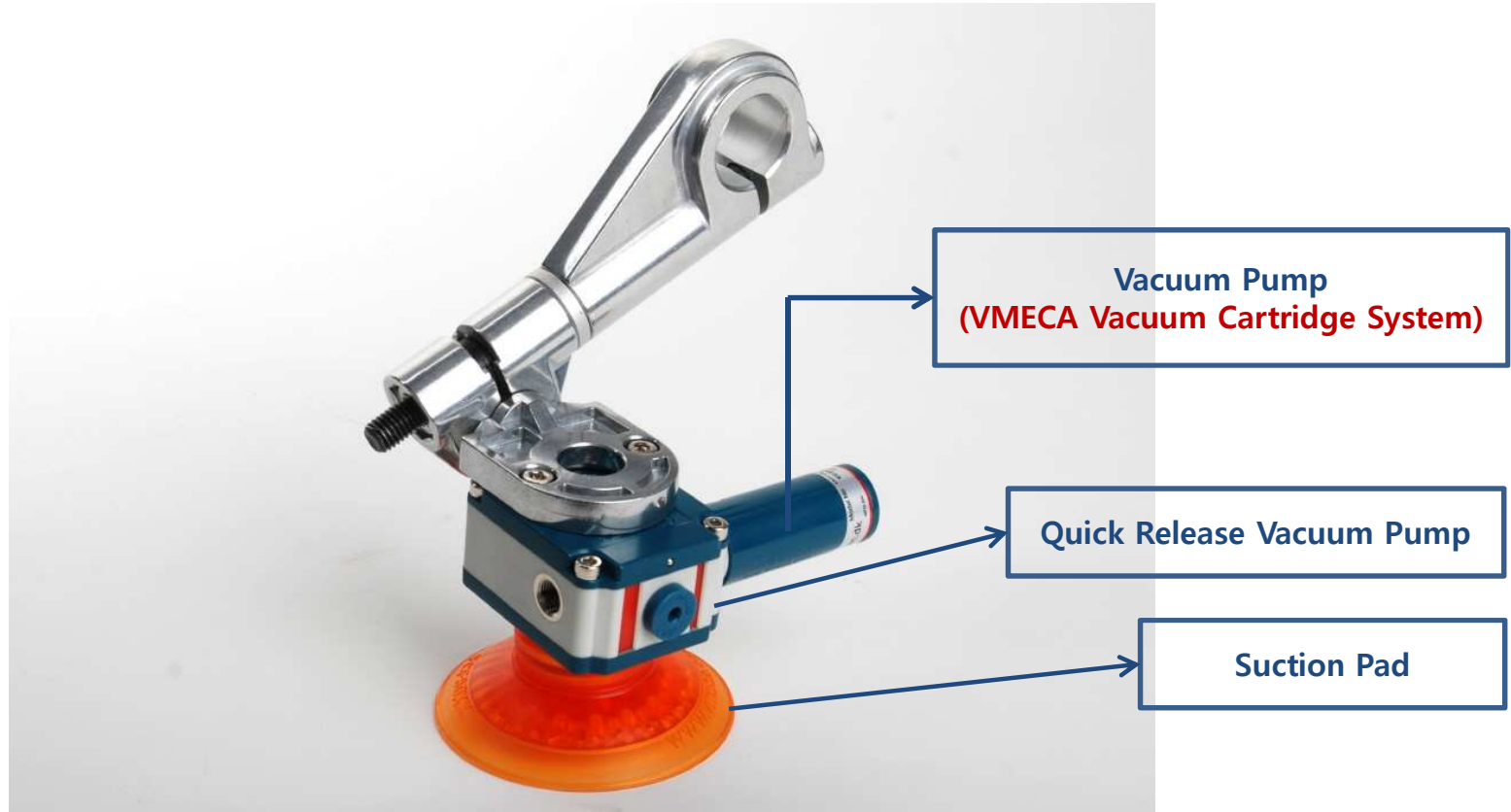




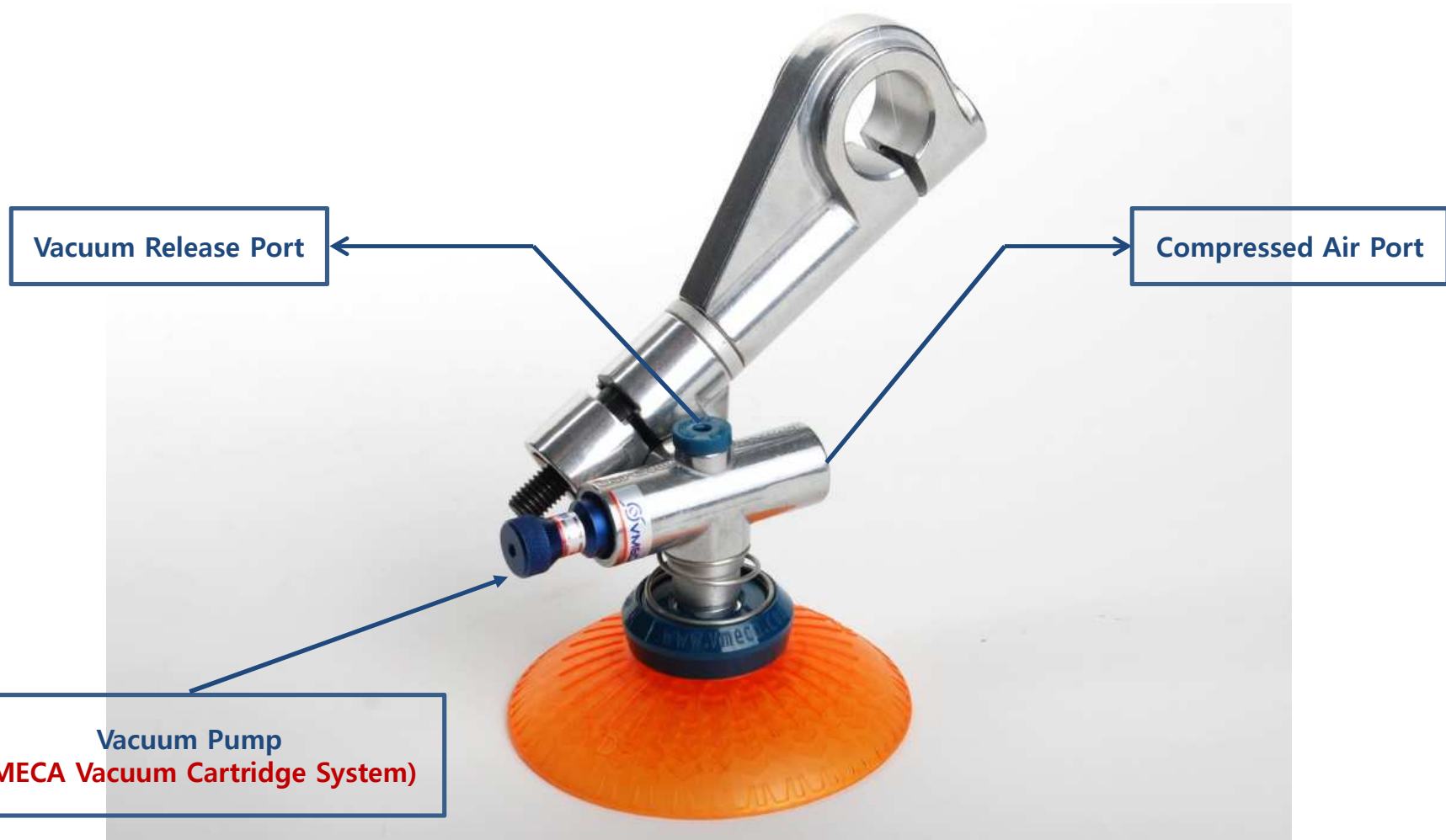
✓ There are different types of Suction Cups that you can easily apply for your various applications.



The Level Spring Adapter and Level Spring of NEW Vmecca Smart Arm are used to compensate for differences in height on the surface of the material that is to be lifted.

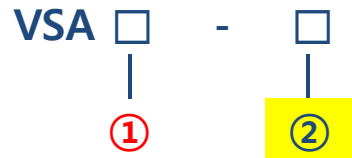


- VQ-pump (Vacuum Quick Release Pump) directly mount on the swivel arm with VQ-Pump adapter.
- Easy to install and adjustable.
- Integrated vacuum filter self-cleaning system.
- VMECA vacuum cartridge pump integrated.



- Closely installation at the point of use
- Quick response time
- Individual vacuum system is possible to be made with VMECA Vacuum cartridge.
- Compact size and easy to maintenance

Order No.

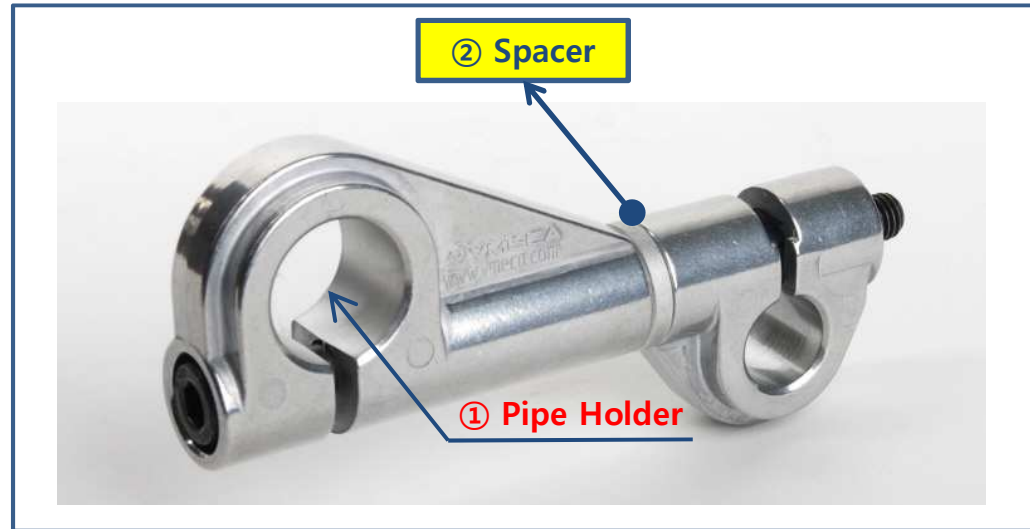


① Pipe Holder

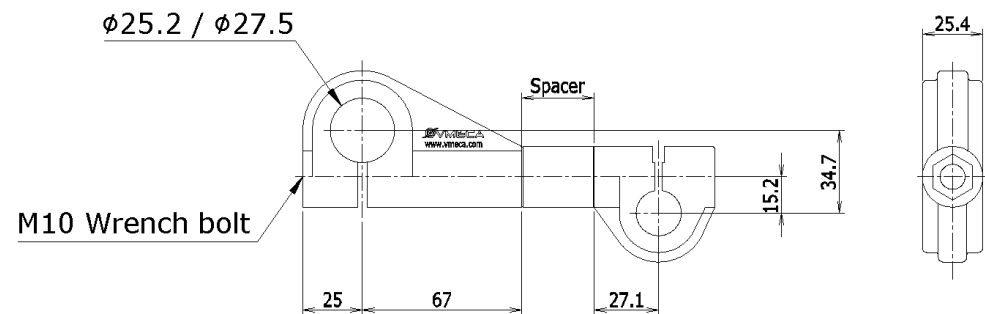
- 01 - ø27.5
- 02 - ø25.2

② Spacer

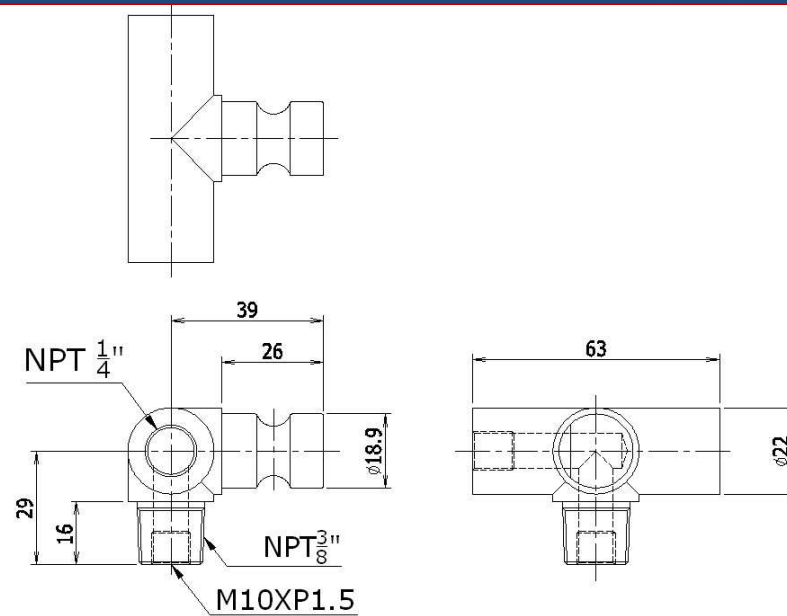
- 5 - 5mm
- 15 - 15mm
- 20 - 20mm
- 30 - 30mm
- 70 - 70mm
- 100 - 100mm
- 140 - 140mm
- 170 - 170mm



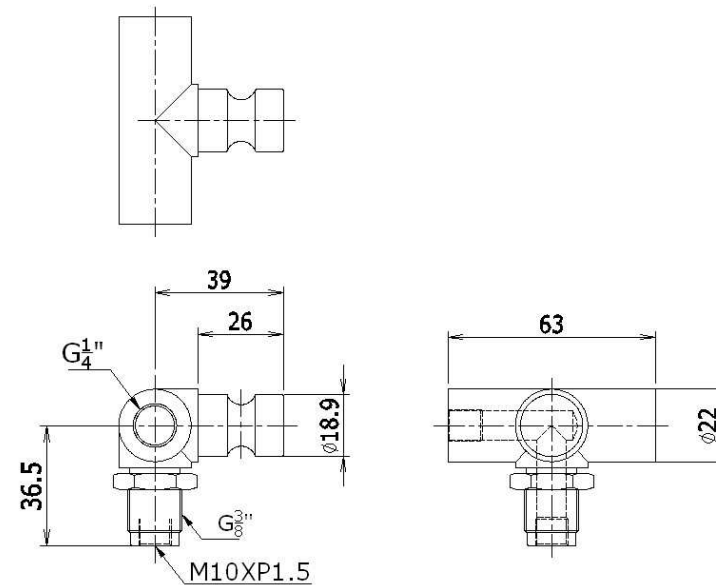
## Dimension



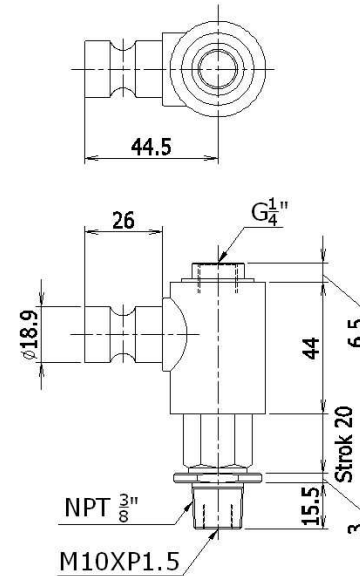
**PAD Adapter**  
Model no:SPA-N38M-M10F



**PAD Adapter (only for Oval pads)**  
Model no:SPA-38M-OC-M10F



**Non Rotating Level spring**  
Model no:SL20TN-N38M-M10F



**Pipe Holder**  
Model no:VSA27 (Pipe Hole size  $\varnothing$ 27.5)  
VSA25 (Pipe Hole size  $\varnothing$ 25.2)



**Level Spring Adapter**  
Model no: VSL-H18



Pump Adapter (integrated VMECA Vacuum Cartridge)  
Model no: SPA202P-N38M10F

