

VLS-Series

- Max. vacuum level : -75 kPa (-22.15 inHg)
- Max. flow rate : 362 NI/min (12.79 scfm)
- Supply air pressure : 4 ~ 6 bar, max 7 bar
(58~87 psi, max 101.5 psi)
- Air consumption : 70~104 NI/min (2.47~3.67 scfm)
- Supply air type : Dry compressed air
- Working temperature : -20°C to +80°C
- Noise level : 50~60 dBA



Main Advantages

- High operational reliability despite fluctuating.
- Quick response time.
- VMECA Twofold Silencer^{PT} assures low noise levels.
- Easy to distribute vacuum. (Multiple connection alternatives up to 8 ports.)
- Optional Air-Saving(AS) kit available to minimize energy consumption.
- Optional factory installed air control/vacuum release valves and vacuum switch available.
- Easily mountable and interchangeable vacuum cartridge.

Order No.

VLS 144 - AS - A3 R3 - CL A - S2 N V

① ② ③ ④ ⑤ ⑥ ⑦ ⑧ ⑨

① Vacuum Port

- **144** - G1/4" X 4EA
- 146 - G1/4" X 6EA
- 148 - G1/4" X 8EA

② Air saving kit (108)

- No mark - Standard
- **AS** - Air saving kit attached

③ Voltage of air supply control valve

- A1 - AC110V
- A2 - AC220V
- **A3** - DC24V
- D1* - AC110V
- D2* - AC220V
- D3* - DC24V

* D.. : Double solenoid valve is available only with 'DN' or 'DL', section ⑤

④ Voltage of vacuum release control valve

- R1 - AC110V
- R2 - AC220V
- **R3** - DC24V

⑤ Solenoid Terminal

- DN - DIN type without lead wire
- DL - DIN type with lamp without lead wire
- **CL*** - Connector type with lamp & 0.3 m lead wire
- 2B* - DIN type with '2 in 1' BUS cable
(Air control v/v + Vacuum release v/v)
- 3B* - DIN type with '3 in 1' BUS cable
(Air control v/v + Vacuum release v/v + Digital switch)

* Can not available with double solenoid valve

※ Remark

CL : Available only with DC24V

3B : Available only with DC24V

Available only with 'S2' or 'S2P', section ⑦

☞ About 'BUS cable' (340, 341)

⑥ Vacuum release flow adjust

- No mark - Standard
- **A** - Attached

⑦ Vacuum switch

- No mark - Vacuum gauge.
- **S2(P)** - Digital display output 2points, No analog supply M8-4Pin Connector type 0.3m lead wire.
- SG2(P) - Digital display output 2 points, No analog supply Grommet type 4-Core 2m lead wire.
- SG3(P) - Digital display output 2 points, Analog supply Grommet type 5-Core 2m lead wire.

※ Remark: ① S..(P)

↳ Output type :PNP open collector

② VCM8 42 : M8-4Pin connector wire.
Only for type S2 or S2(P).

⑧ Non-return valve

- No mark - Standard
- **N** - Non-return valve.

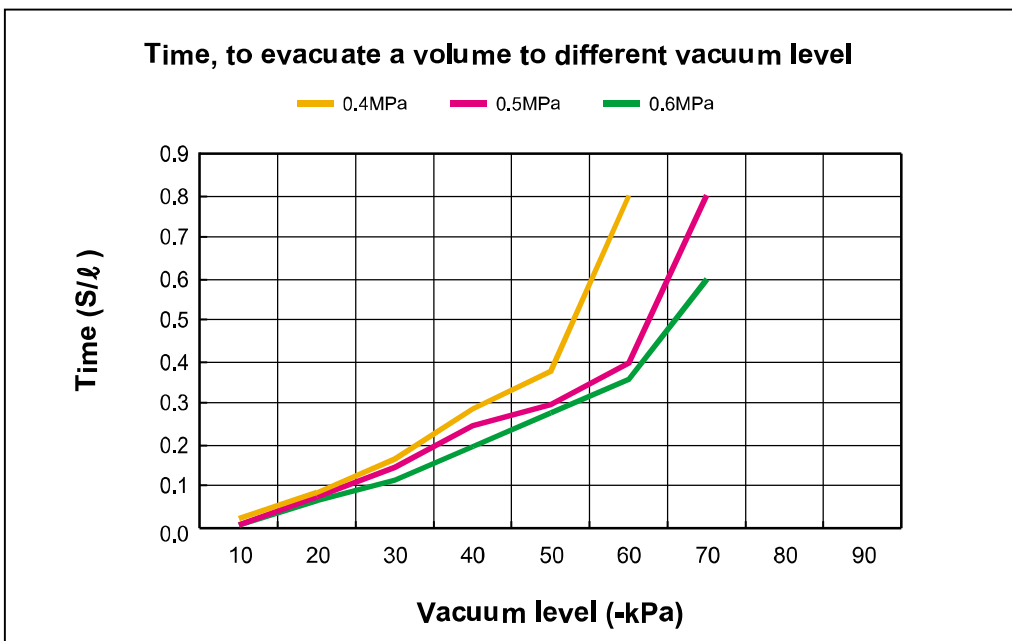
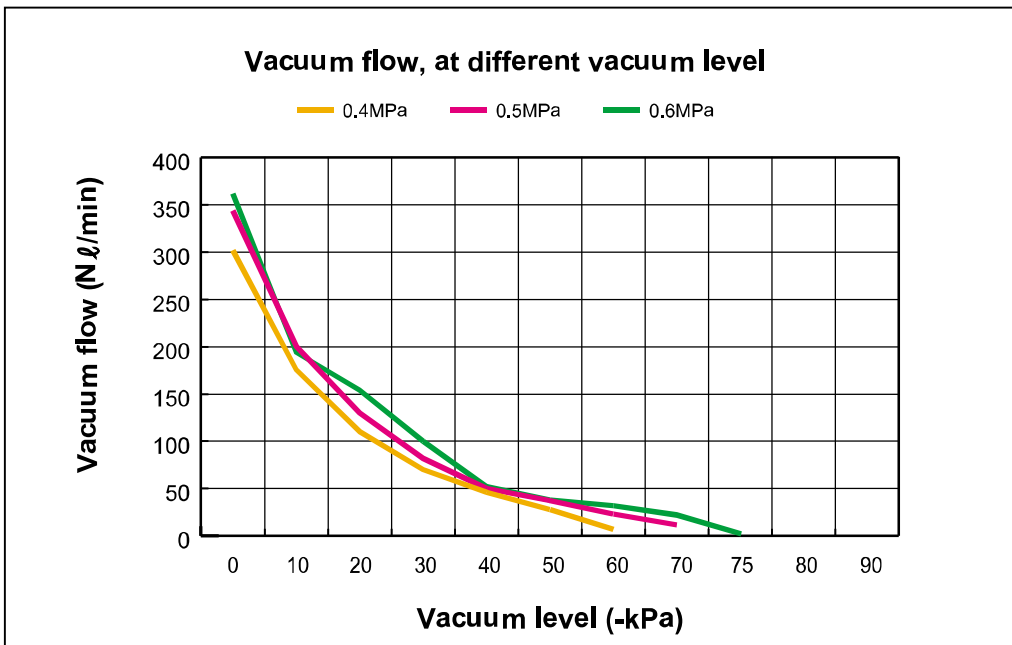
⑨ Sealing

- No mark - Standard
- **V** - Viton®
- E** - EPDM

Performance Data

Series	MAX. Vacuum (-kPa)	Feed pressure (MPa)	Vacuum flow, NI/min, at different vacuum level -kPa (-mmHg)									
			0 (0)	10 (75)	20 (150)	30 (225)	40 (300)	50 (375)	60 (450)	70 (525)	80 (600)	90 (675)
VLS	60	0.4	302	176	110	70	46	28	6.8	-	-	-
	70	0.5	344	200	130	82	50	37.5	23	11.3	-	-
	75	0.6	362	194	154	100	52	38	32	22	-	-

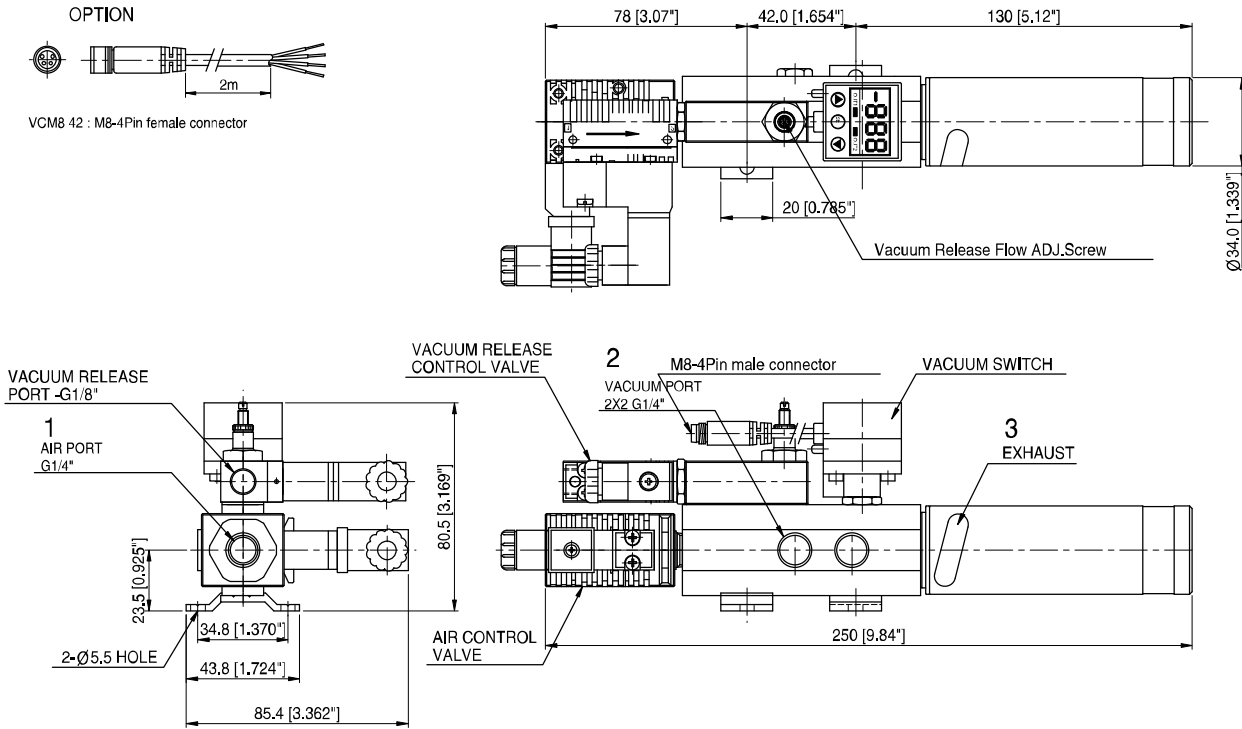
Series	Feed pressure (MPa)	Air consumption (NI/min)	Time, s/l, to evacuate a volume to different vacuum level -kPa (-mmHg)								
			10 (75)	20 (150)	30 (225)	40 (300)	50 (375)	60 (450)	70 (525)	80 (600)	90 (675)
VLS	0.4	70	0.028	0.09	0.17	0.29	0.38	0.8	-	-	-
	0.5	85	0.013	0.08	0.15	0.25	0.3	0.4	0.8	-	-
	0.6	104	0.012	0.07	0.12	0.2	0.28	0.36	0.6	-	-



Dimensional Information

With Vacuum control valve, Vacuum release control valve and Digital Vacuum Switch

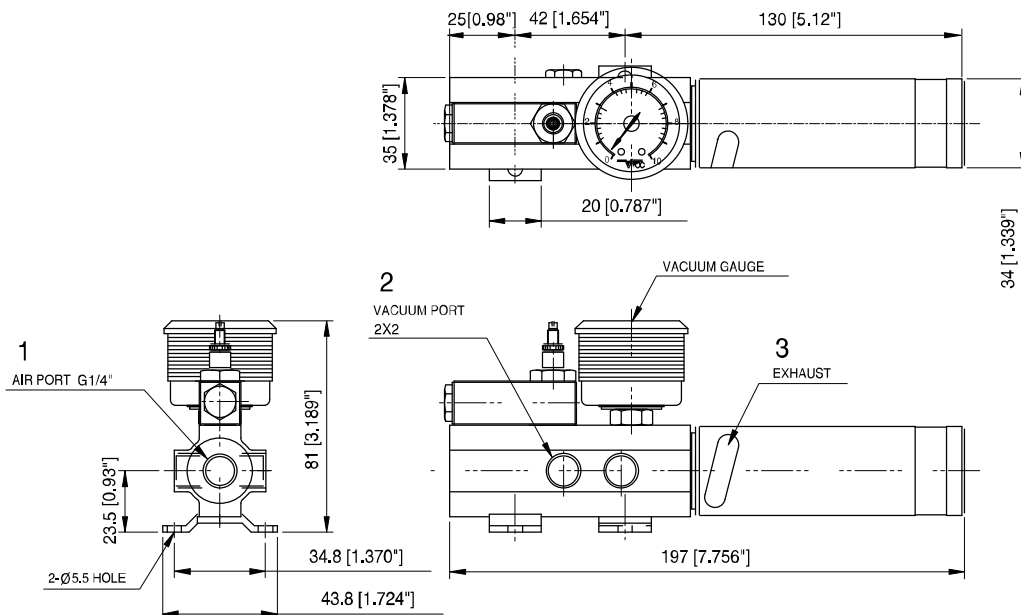
▼ Series VS 144.. / VLS 144..



Measure unit : mm [in]

Standard

▼ Series VS 144.. / VLS 144..



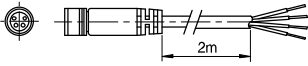
Measure unit : mm [in]

Dimensional Information

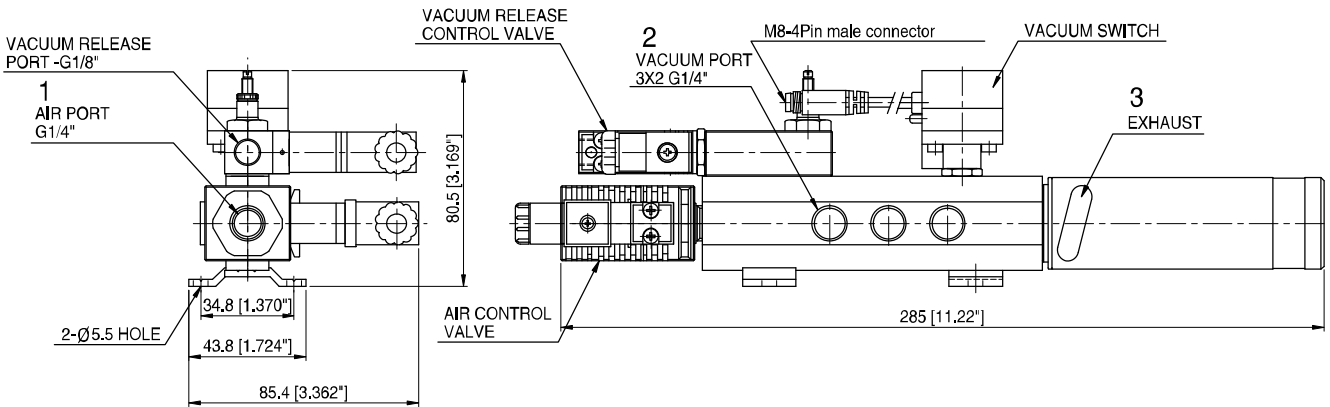
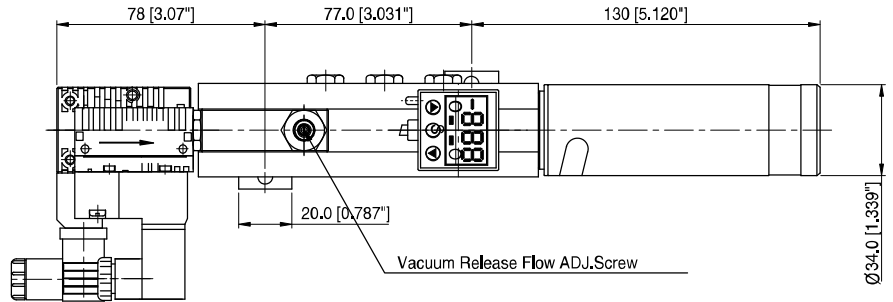
With Vacuum control valve, Vacuum release control valve and Digital Vacuum Switch

▼ Series VS 146.. / VLS 146..

OPTION



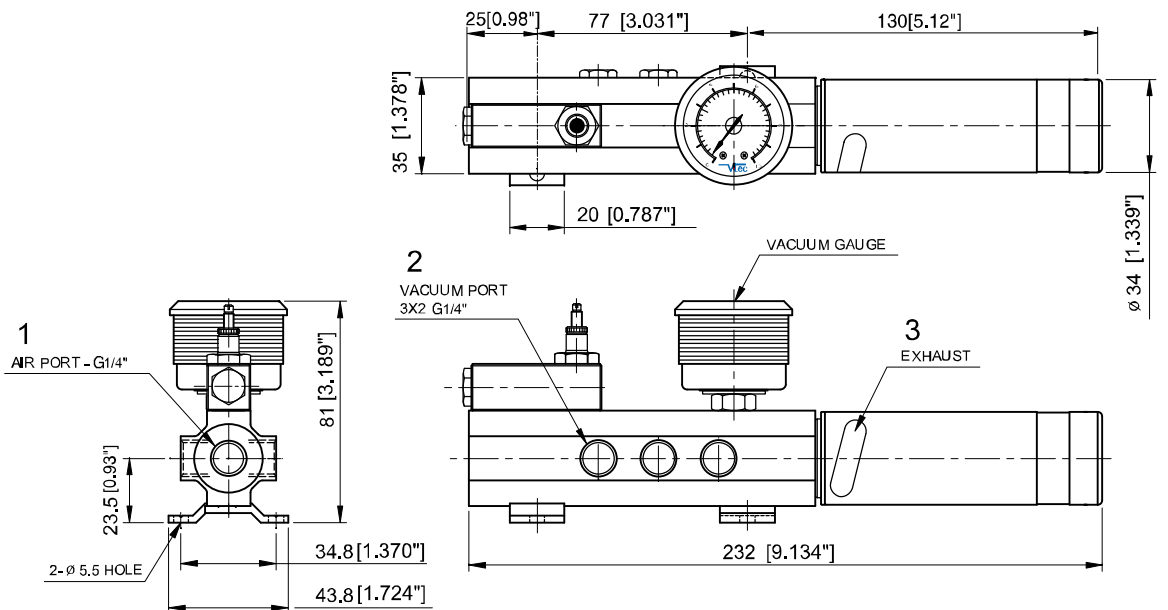
VCM8 42 : M8-4Pin female connector



Measure unit : mm [in]

Standard

▼ Series VS 146.. / VLS 146..

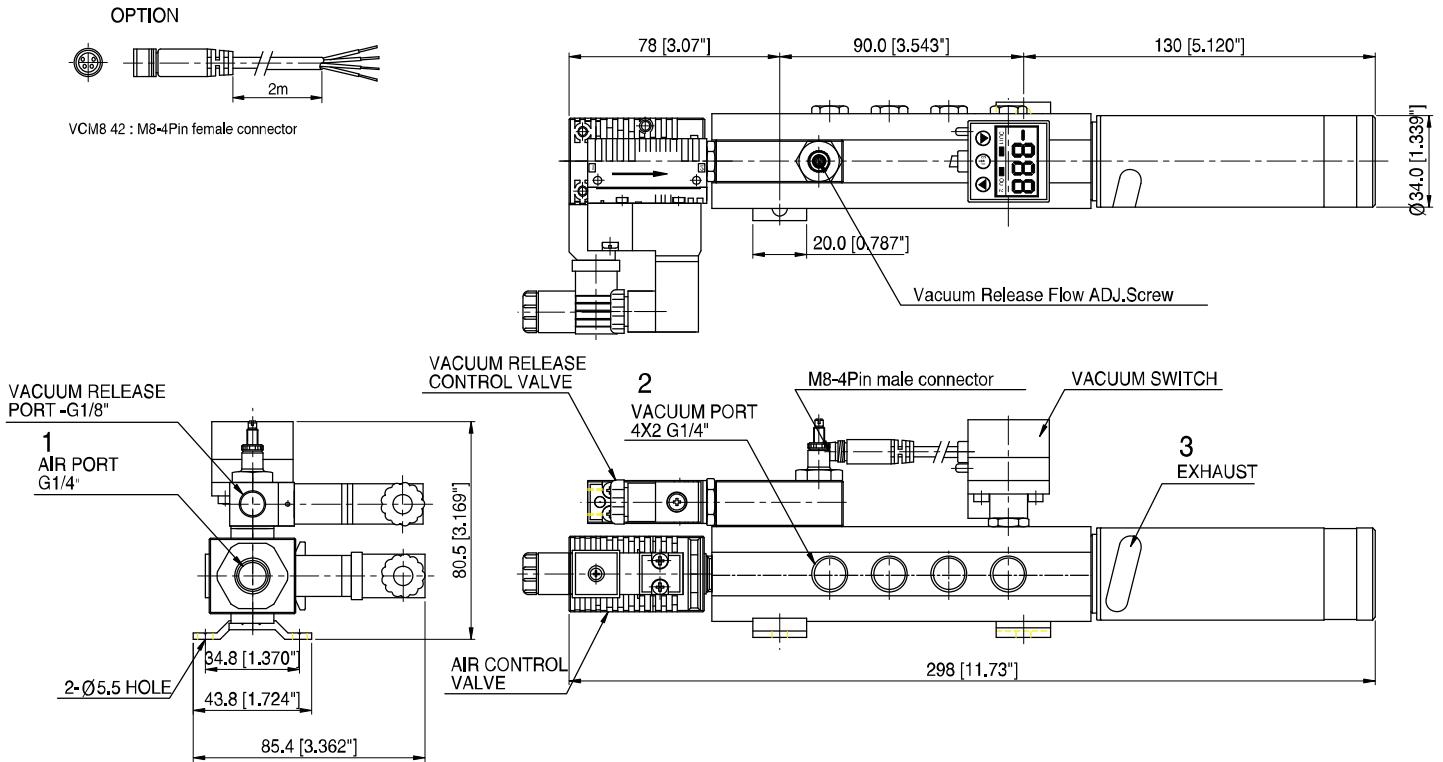


Measure unit : mm [in]

Dimensional Information

With Vacuum control valve, Vacuum release control valve and Digital Vacuum Switch

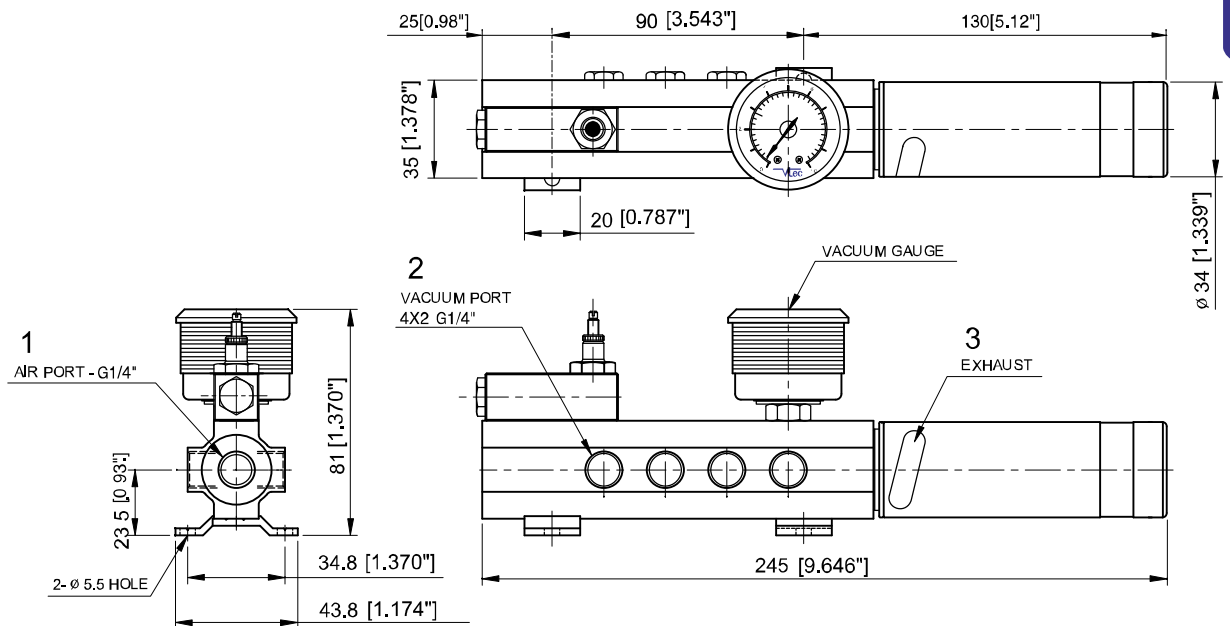
▼ Series VS 148.. / VLS 148..



Measure unit : mm [in]

Standard

▼ Series VS 148.. / VLS 148..



Measure unit : mm [in]

VACUUM PUMPS